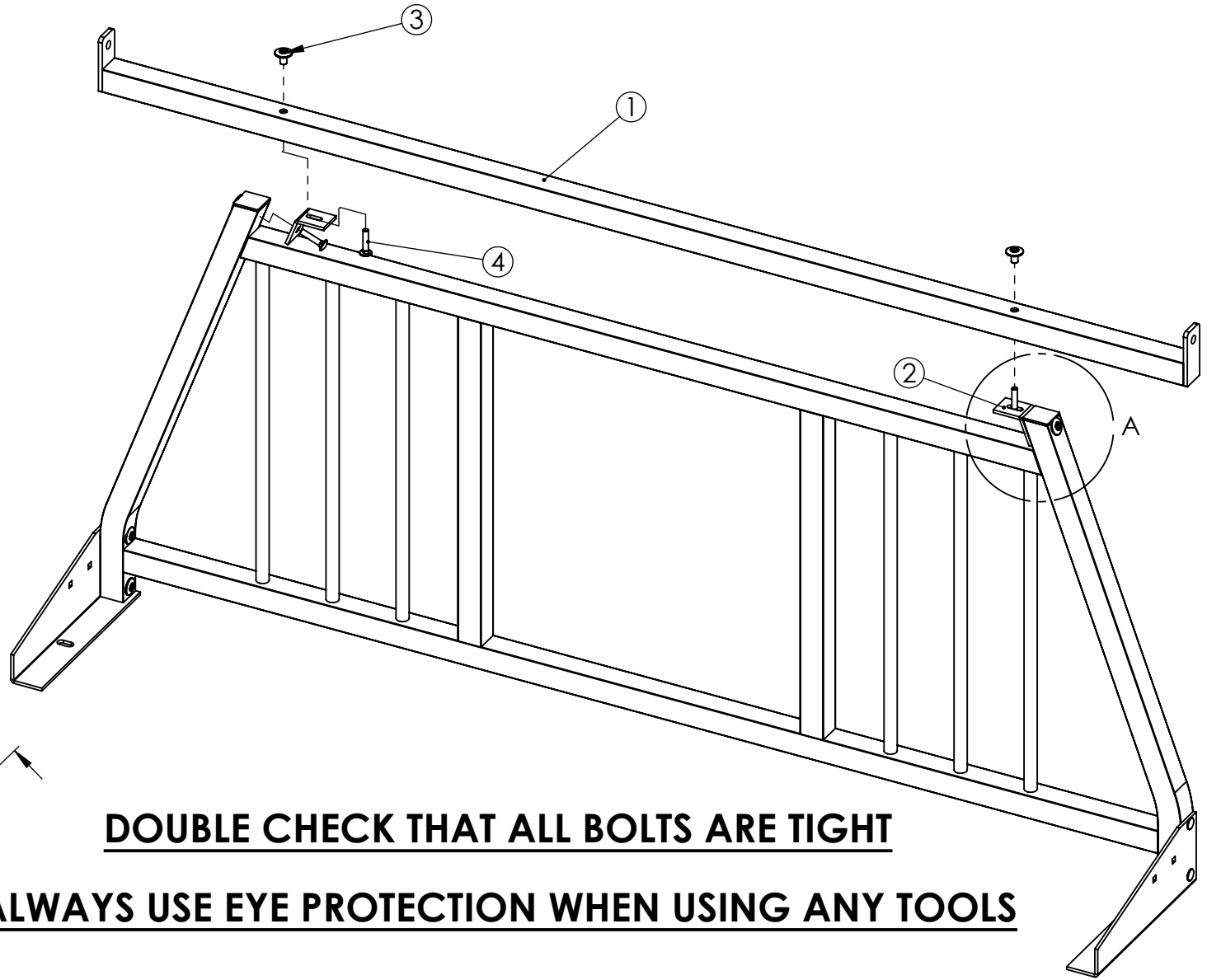
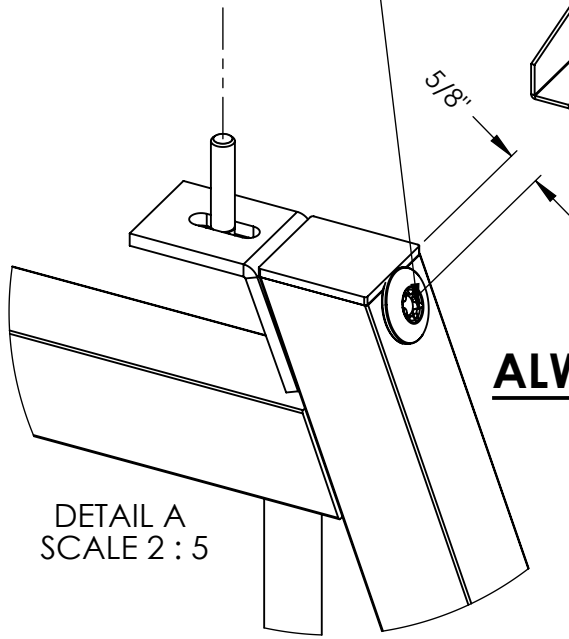


ITEM	DESCRIPTION	QTY.
1	EXTENDER CROSS BAR	1
2	MOUNTING TABS	2
3	5/16 CAMTAINER NUTS	4
4	5/16 X 1 1/2 CARRIAGE BOLTS	4



DRILL 7/16 HOLE 5/8" FROM TOP OF HORN ALL THE WAY THROUGH PURPENDICULAR TO FACE



DOUBLE CHECK THAT ALL BOLTS ARE TIGHT

ALWAYS USE EYE PROTECTION WHEN USING ANY TOOLS

WESTCAN MANUFACTURING LTD.

TITLE: CAB GUARD EXTENDER KIT

MATERIAL:

SCALE: 1:9

Sheet 1 OF 1

PART NR: TR-70

PROPRIETARY AND CONFIDENTIAL

THE INFORMATION CONTAINED IN THIS DRAWING IS THE SOLE PROPERTY OF WESTCAN MANUFACTURING LTD. ANY REPRODUCTION IN PART OR AS A WHOLE WITHOUT THE WRITTEN PERMISSION OF WESTCAN MANUFACTURING LTD IS PROHIBITED.

UNLESS OTHERWISE SPECIFIED:		DIMENSIONS ARE IN INCHES	
TOLERANCE	SURFACE	DRAWN BY: LH	DATE: NOV 7 08
.X = ±.020	125 ✓		
.XX = ±.010			
.XXX = ±.005			
DO NOT SCALE DRAWING			

Rev	BY	DATE	DESCRIPTION