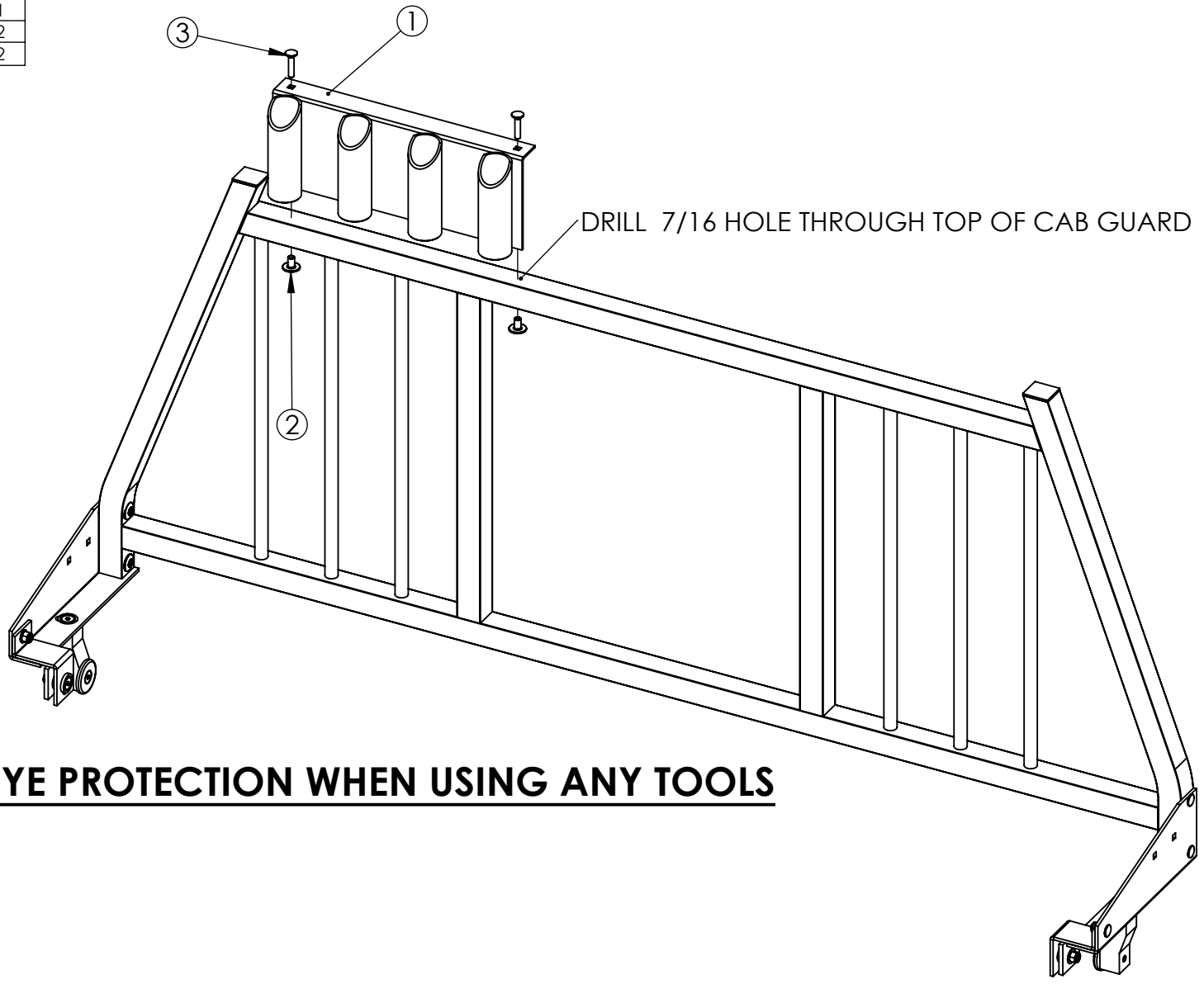


ITEM	DESCRIPTION	QTY
1	4 PIPE RAKE HOLDER	1
2	5/16 CAMTAINER NUT	2
3	5/16 X 1 1/2 CARAGE BOLT	2



ALWAYS USE EYE PROTECTION WHEN USING ANY TOOLS

WESTCAN MANUFACTURING LTD.

TITLE: 4 PIPE SHOVEL AND RAKE HOLDER

MATERIAL: ALUMINUM

SCALE: 1:9

Sheet 1 OF 1

PART NR: SRH-4

PROPRIETARY AND CONFIDENTIAL
 THE INFORMATION CONTAINED IN THIS DRAWING IS THE SOLE PROPERTY OF WESTCAN MANUFACTURING LTD. ANY REPRODUCTION IN PART OR AS A WHOLE WITHOUT THE WRITTEN PERMISSION OF WESTCAN MANUFACTURING LTD IS PROHIBITED.

Rev	BY	DATE	DESCRIPTION

UNLESS OTHERWISE SPECIFIED:	
TOLERANCE	SURFACE
.X = ±.020	125 ✓
.XX = ±.010	
.XXX = ±.005	
DO NOT SCALE DRAWING	

DIMENSIONS ARE IN INCHES

DRAWN BY: LH

DATE: NOV 6 08