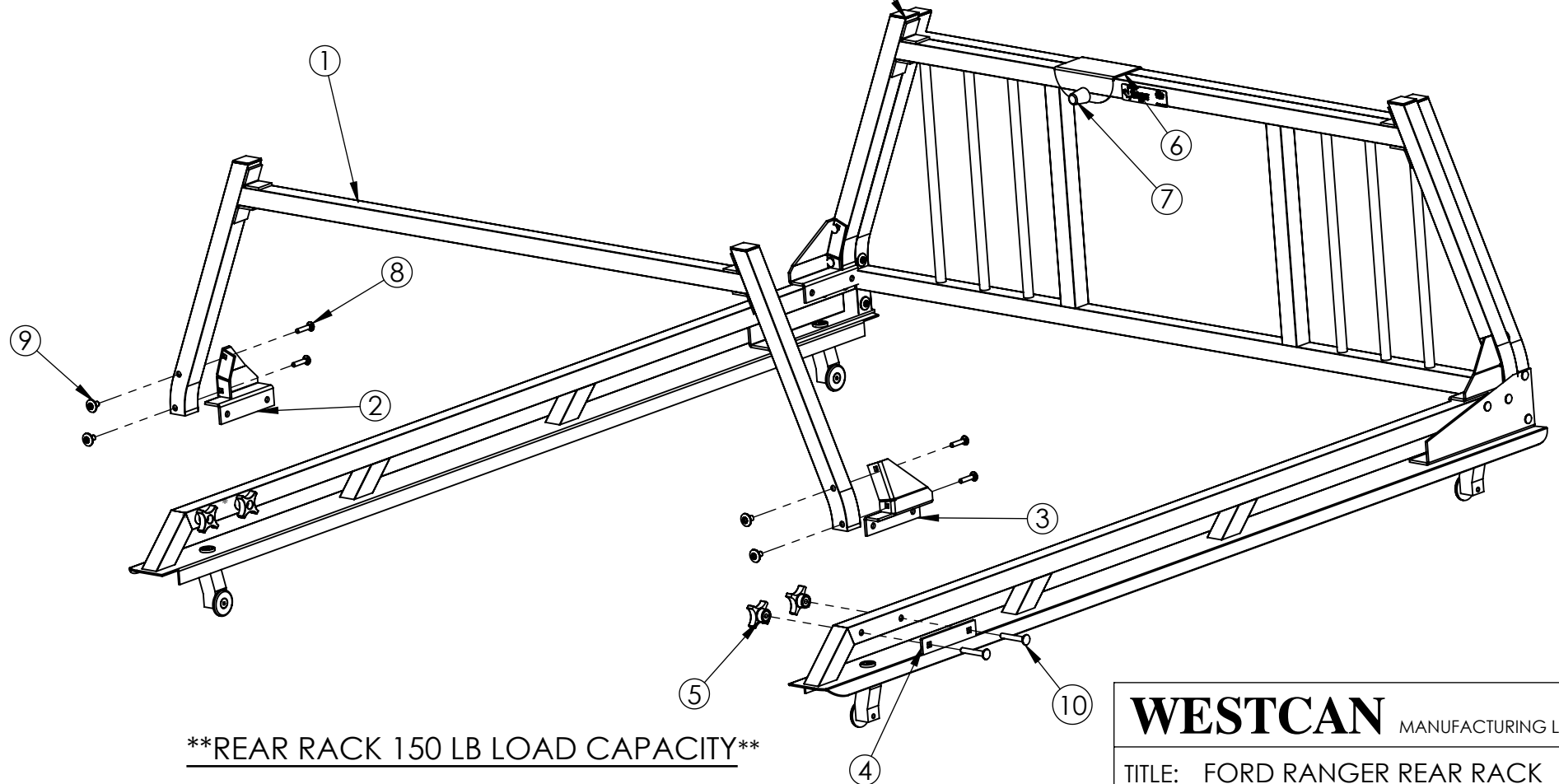


| ITEM # | DESCRIPTION | QTY. |
|--------|-----------------------------|------|
| 1 | REAR RACK | 1 |
| 2 | DRIVERS BASE PLATE P-005 | 1 |
| 3 | PASSENGERS BASE PLATE P-004 | 1 |
| 4 | WASHER PLATE | 2 |
| 5 | CROSS HAND WHEEL | 4 |
| 6 | ALUMINUM CLIP | 1 |
| 7 | LOCK | 1 |
| 8 | 5/16 X 1 1/2 CARRAGE BOLT | 4 |
| 9 | CAMTAINER NUT | 4 |
| 10 | 3/8 X 2 1/2 CARRAGE BOLT | 4 |

REAR RACK IN FORWARD POSITION



****REAR RACK 150 LB LOAD CAPACITY****

WESTCAN MANUFACTURING LTD.

TITLE: FORD RANGER REAR RACK

MATERIAL:

SCALE: 1:9

Sheet 1 OF 1

PART NR: NBR110-3000

PROPRIETARY AND CONFIDENTIAL

THE INFORMATION CONTAINED IN THIS DRAWING IS THE SOLE PROPERTY OF WESTCAN MANUFACTURING LTD. ANY REPRODUCTION IN PART OR AS A WHOLE WITHOUT THE WRITTEN PERMISSION OF WESTCAN MANUFACTURING LTD IS PROHIBITED.

| UNLESS OTHERWISE SPECIFIED: | | DIMENSIONS ARE IN INCHES | |
|-----------------------------|---------|--------------------------|-----------------|
| TOLERANCE | SURFACE | DRAWN BY: LH | DATE: AUG 29 08 |
| .X = ±.020 | 125 ✓ | | |
| .XX = ±.010 | | | |
| .XXX = ±.005 | | | |
| DO NOT SCALE DRAWING | | | |

| Rev | BY | DATE | DESCRIPTION |
|-----|----|------|-------------|
| | | | |