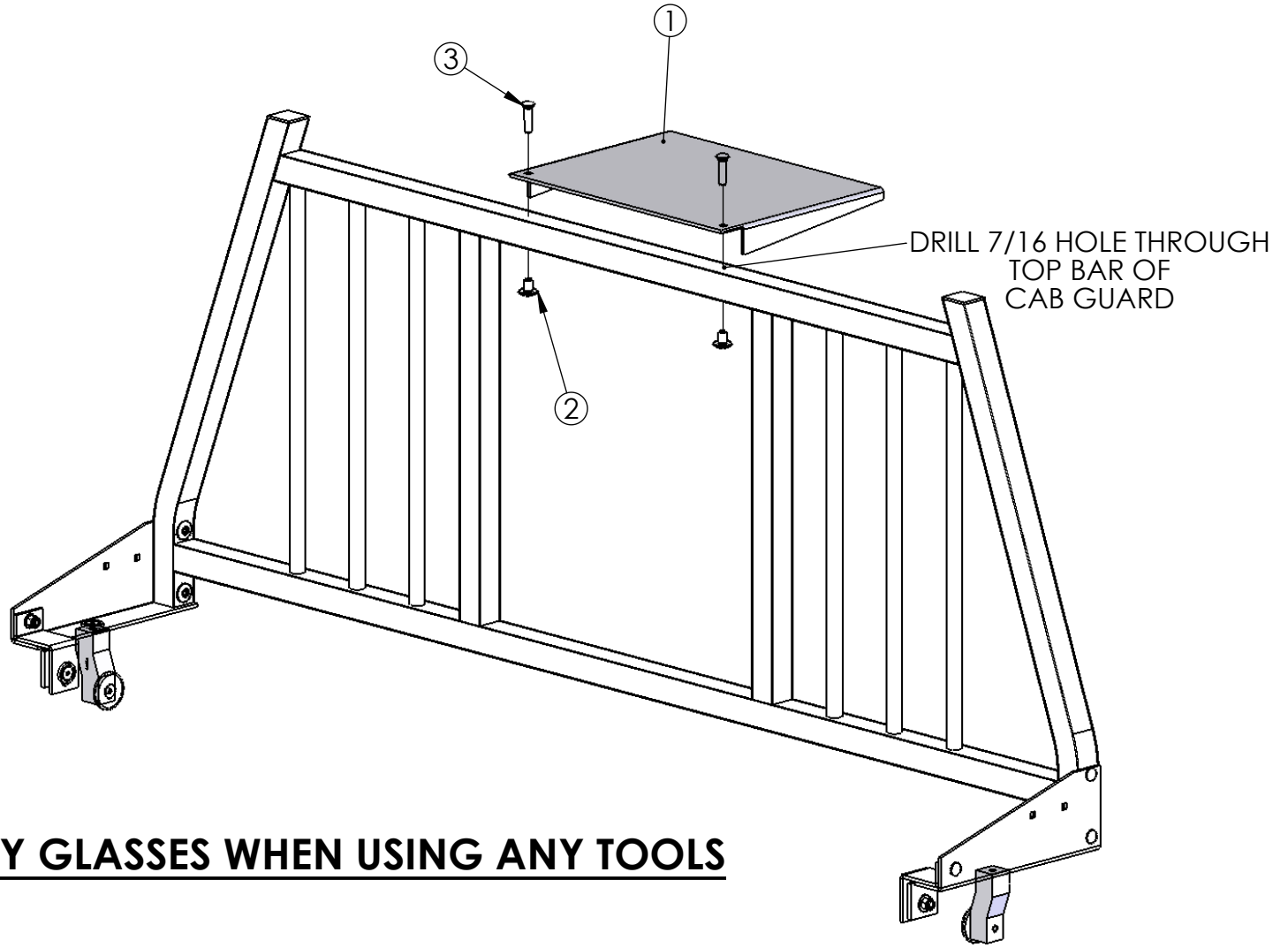


ITEM	DESCRIPTION	QTY.
1	BEACON BRACKET 502	1
2	5/16 CAMTAINER NUTS	2
3	5/16 X 1 1/2 CARAGE BOLT	2



**ALWAYS USE SAFTY GLASSES WHEN USING ANY TOOLS**

**WESTCAN** MANUFACTURING LTD.

TITLE: 502 BEACON BRACKET

MATERIAL: 3/16 SMOOTH ALUMINUM

SCALE: 1:9

Sheet 1 OF 1

PART NR: 502

PROPRIETARY AND CONFIDENTIAL  
THE INFORMATION CONTAINED IN THIS DRAWING IS THE SOLE PROPERTY OF WESTCAN MANUFACTURING LTD. ANY REPRODUCTION IN PART OR AS A WHOLE WITHOUT THE WRITTEN PERMISSION OF WESTCAN MANUFACTURING LTD IS PROHIBITED.

Rev	BY	DATE	DESCRIPTION	UNLESS OTHERWISE SPECIFIED: TOLERANCE	SURFACE	DIMENSIONS ARE IN INCHES
				.X = ±.020 .XX = ±.010 .XXX = ±.005	125 ✓	DRAWN BY: LH DATE: NOV 6 08
				DO NOT SCALE DRAWING		